

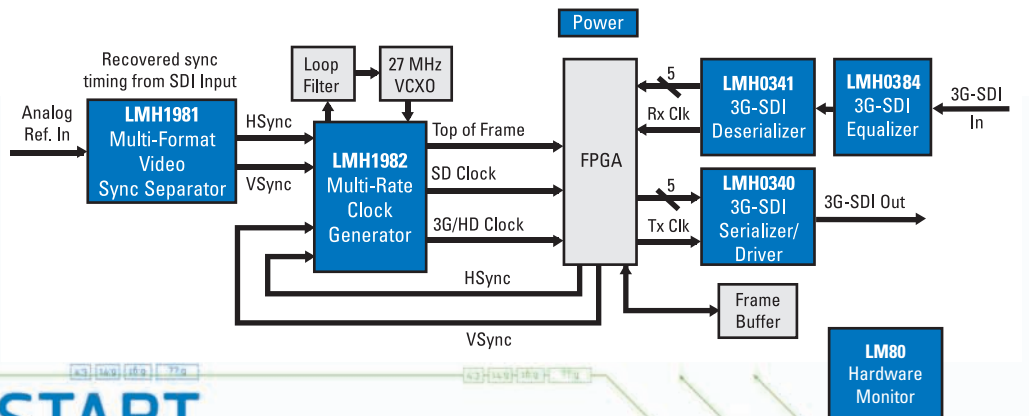
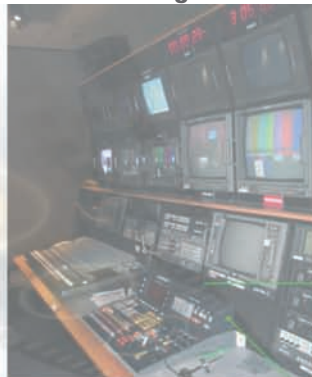
Professional and Broadcast Video

Solutions Guide

national.com/sdi

2009 Vol. 1

- SDI
- SerDes
- Clock and Timing
- HDMI
- Analog Video
- Audio
- Thermal Management
- Power Management



START

< broadcast > < PROJECTOR // DIGITAL PROJECTOR // PAL // NTSC // SECAM > --> HDTV << / broadcast >>
widescreen--letterbox < camera > 70mm II 35mm II 16mm II beta II digi-beta II mini-dv </>

< aspect ratio > 4:3 // 14:9 // 16:9 // beyond </ aspect ratio >



Worldwide Design Centers and Manufacturing Facilities



- Design Centers
- Manufacturing Facilities

Design Centers

USA:

Chandler, Arizona
 Federal Way, Washington
 Fort Collins, Colorado
 Grass Valley, California
 Indianapolis, Indiana
 Longmont, Colorado
 Norcross, Georgia
 Phoenix, Arizona
 Salem, New Hampshire
 Santa Clara, California
 South Portland, Maine
 Tucson, Arizona

EUROPE:

Delft, Netherlands
 Unterhaching, Germany
 Greenock, Scotland
 Milan, Italy
 Oulu, Finland
 Tallinn, Estonia

ASIA:

Bangalore, India
 Hangzhou, China
 (joint with Zhejiang University)
 Hong Kong, China
 Tokyo, Japan

Manufacturing Facilities

Wafer (Die) Fabrication:

Arlington, Texas
 South Portland, Maine
 Greenock, Scotland

Chip Test and Assembly:

Melaka, Malaysia

World Headquarters
 2900 Semiconductor Drive
 Santa Clara, CA 95051
 USA
 +1 408 721 5000
www.national.com

Mailing Address:
 PO Box 58090
 Santa Clara, CA 95052
support@nsc.com

European Headquarters
 Livry-Gargan-Str. 10
 82256 Fürstentfeldbruck
 Germany
 +49 8141 35 0
national.com/support
europe.support@nsc.com

Asia Pacific Headquarters
 2501 Miramar Tower
 1 Kimberley Road
 Tsimshatsui, Kowloon
 Hong Kong
 +852 2737 1800
ap.support@nsc.com

Japan Headquarters
 Beside KIBA
 2-17-16
 Kiba, Koto-ku
 Tokyo, 135-0042, Japan
 +81 3 5639 7300
jpn.feedback@nsc.com

